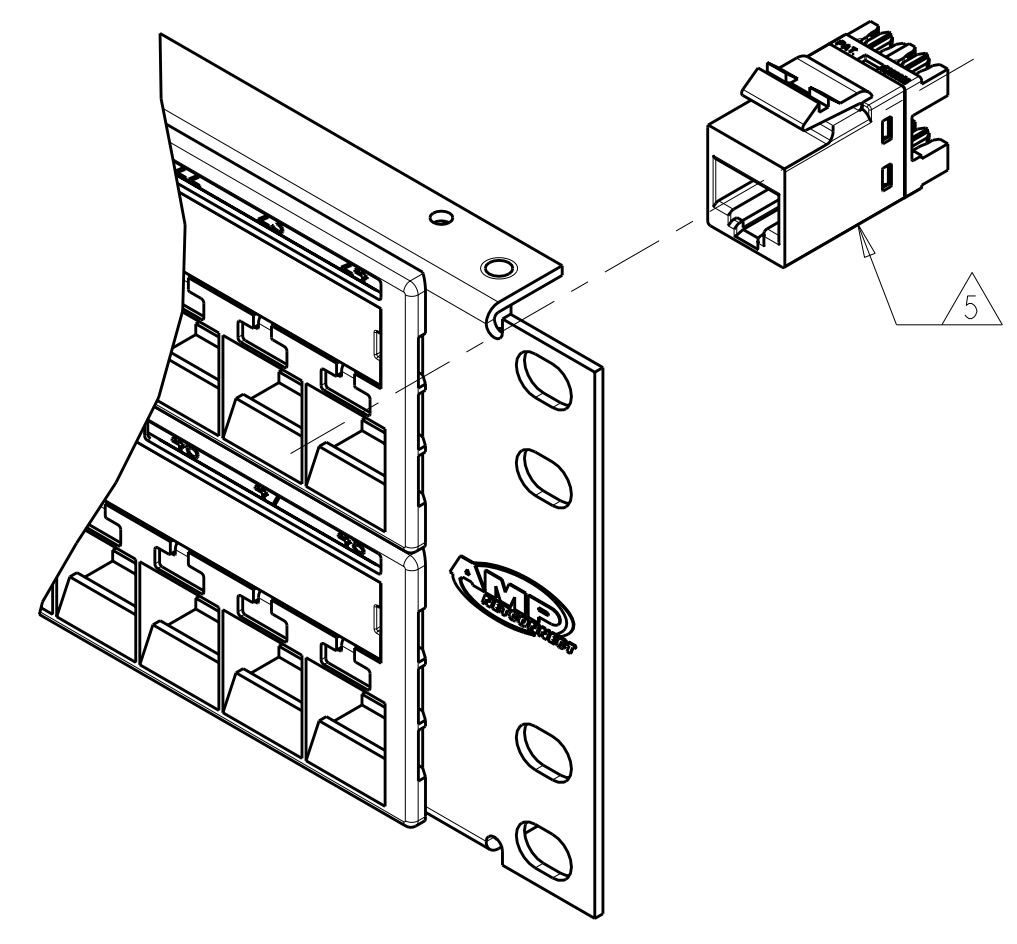
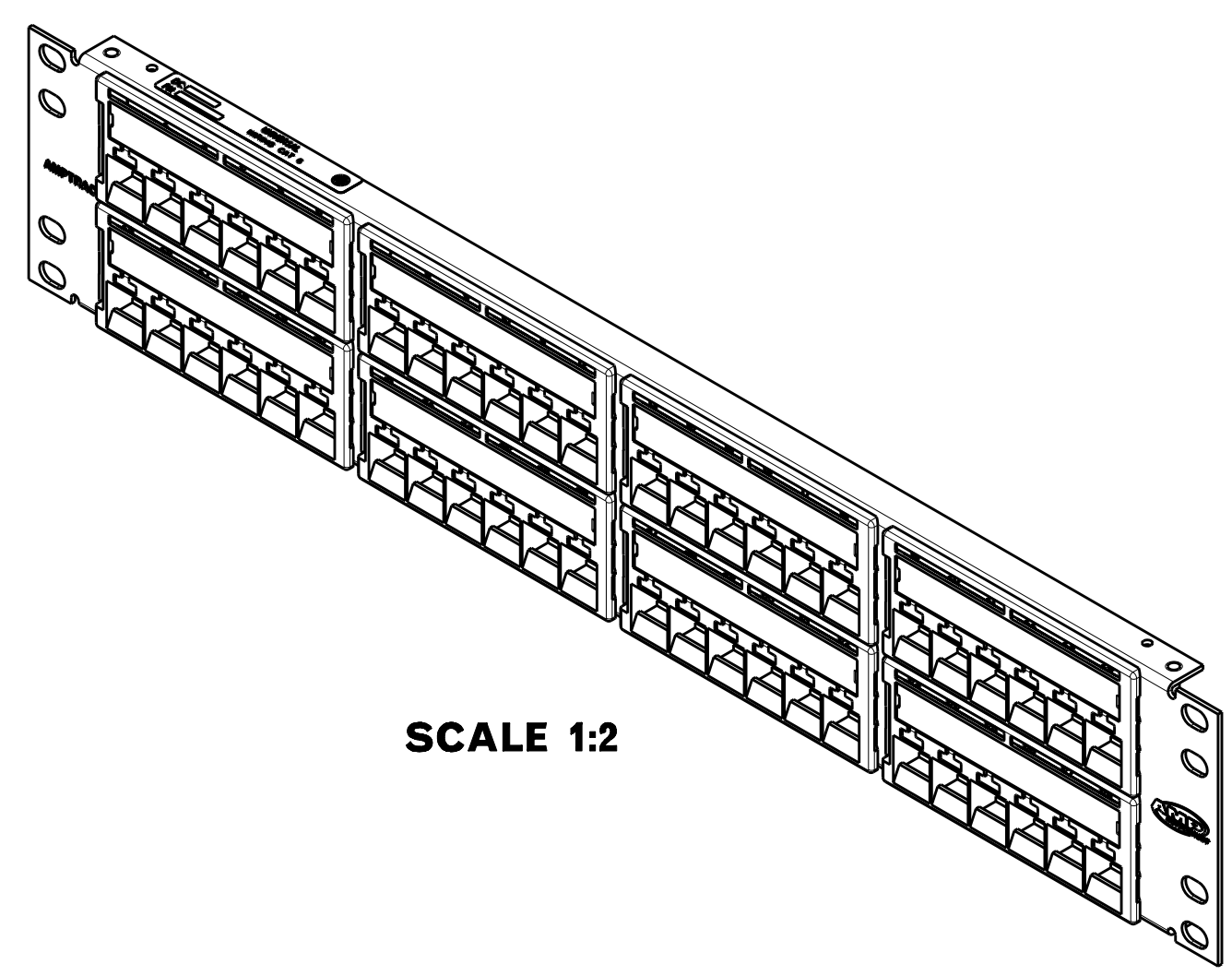
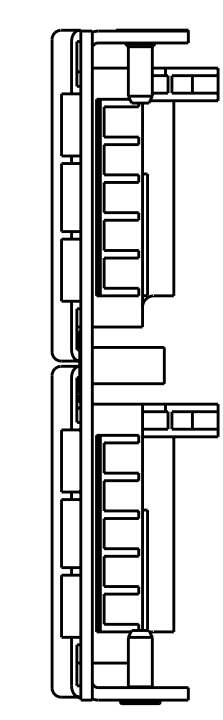
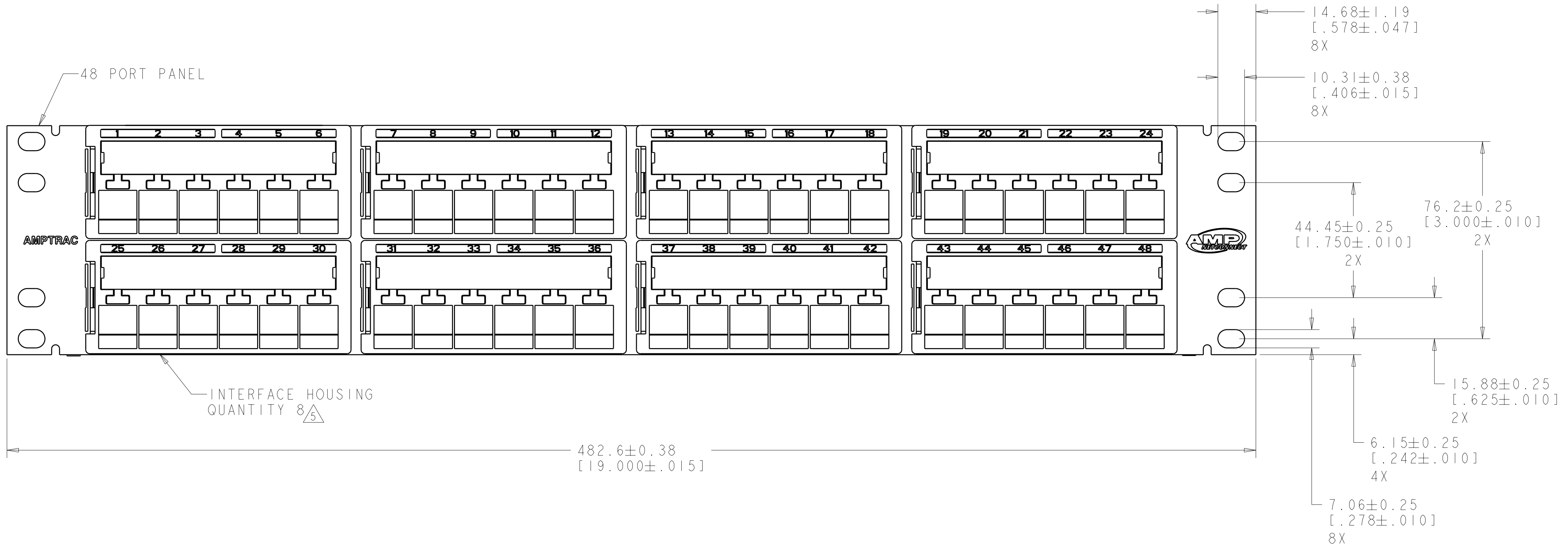
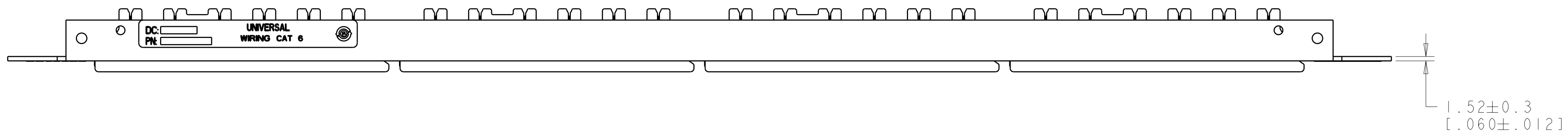


LOC	DIST	REVISIONS					
HM	00	P	LTR	DESCRIPTION	DATE	DWN	APVD
		A		NSD07-041	15MAY2007	JM	SH
		B		ECO-07-015502	05JUL2007	JM	SH
		C		REV: ECO-08-019881	14AUG2008	GG	DC

- △ MATERIAL:
 CONNECTOR HOUSING, INTERFACE: POLYESTER MOLDING COMPOUND, BLACK.
 PANEL: BLACK POWDER COAT STEEL WITH WHITE MARKINGS.
- FOUR BLACK 12-24 X 12.7 [.500] LONG AND FOUR 10-32 X 12.7 [.500] LONG CARBON STEEL CROSS RECESSED SCREWS FOR MOUNTING OF PANEL, SHIPPED LOOSE. NOT SHOWN ON DRAWING.
 - EIGHT RELEASEABLE CABLE TIES USED FOR CABLE ORGANIZATION/ROUTING ARE SHIPPED LOOSE. NOT SHOWN ON DRAWING.
 - TWO BAGS OF STRAIN RELIEFS SHIPPED LOOSE. NOT SHOWN ON DRAWING.
- △ JACKS PACKAGED AND SHIPPED LOOSE TO BE FIELD INSTALLED.



1933328-1
 PART NUMBER

DIMENSIONS: MME [INCHES]		TOLERANCES UNLESS OTHERWISE SPECIFIED: 9 PLC ± 1 PLC ± 3 PLC ± 4 PLC ± ANGLES ±		DWN J MCNEAL 15MAY2007 CHK S HERNDON 15MAY2007 APVD S HERNDON 15MAY2007		Tyco Electronics Harrisburg, PA 17105-3608	
MATERIAL: △		FINISH: △		NAME: KIT, PATCH PANEL, AMPTRAC, 2U, 48 PORT, CAT6 SL, FLAT		SIZE: A11 CAGE CODE: 00779 DRAWING NO: C=1933328	
CUSTOMER DRAWING				WEIGHT: -		RESTRICTED TO: -	
SCALE: 1:2				SHEET: 1 OF 1		REV: C	